

January 2025

# DIY Slimline Tank Stand

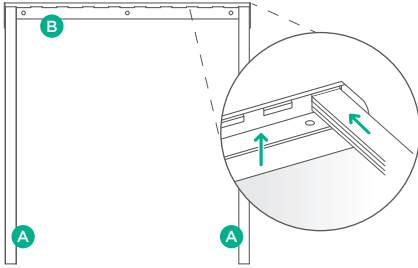
## Instructions for use

WHAT'S IN THE BOX?	
<b>Components:</b>	<b>Assembled example:</b>
<b>A</b> 10x Support beams	
<b>B</b> 2x Carrier beams	
<b>C</b> 6x Base plates	
<b>D</b> 6x Base plate bolts (12mm x 120mm) complete with nuts	
<b>E</b> 4x Carrier beam bolts (10mm x 25mm) complete with nuts	
<b>Required for assembly:</b>	
1. 2x 17mm spanners	
2. 19mm spanner	
3. Ratchet and 19mm socket	
4. Spirit level	

# ASSEMBLY INSTRUCTIONS

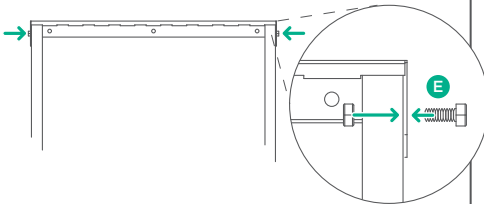
## STEP 1

Position one of the carrier beams (B) with the slots facing upward and insert two support beams (A) into the designated slots on both ends.



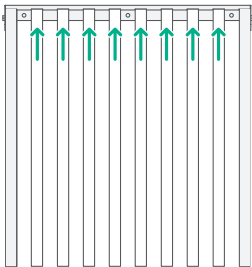
## STEP 2

Insert two of the carrier beam bolts (E) into the holes on each end and secure the carrier beam in place by hand-tightening the bolts with the nuts supplied.



## STEP 3

Insert the remaining eight support beams (A) into the rest of the designated slots.

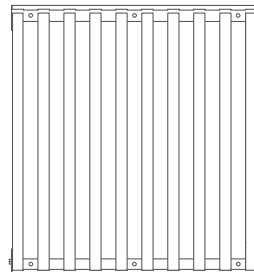
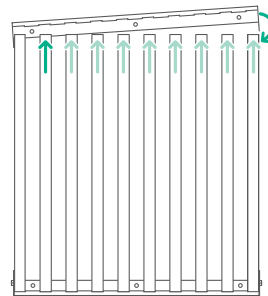
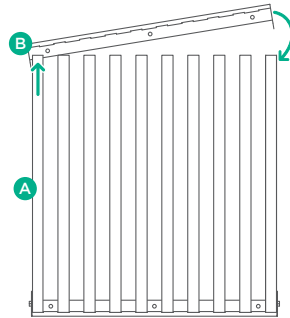


## STEP 4

Place the second carrier beam (B) underneath one of the support beams (A) on the other end.

**This step will have to be done systematically as follows:**

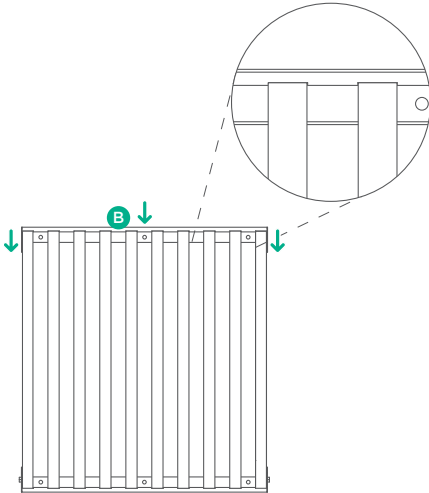
Position the carrier beam at an angle, then lift each support beam (starting with the one closest to you) and place it on top of the carrier beam one at a time, whilst reducing the angle of the carrier beam by moving it closer each time.



## ASSEMBLY INSTRUCTIONS (continued)

### STEP 5

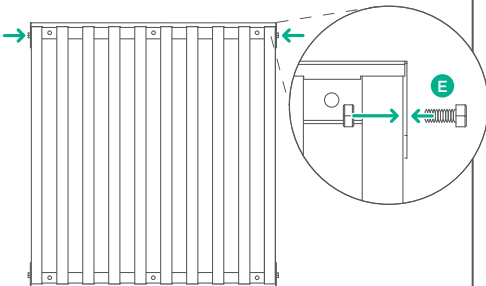
Once all the support beams are on top of the second carrier beam (B), push the carrier beam towards the support beams until all of them are in position and pressing against the edges of the designated inserts.



### STEP 6

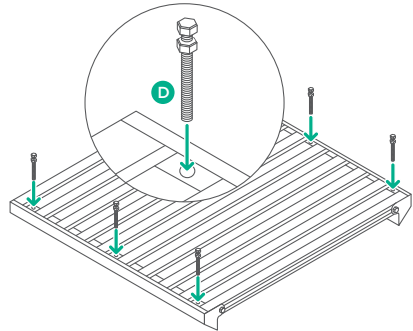
Insert the remaining two carrier beam bolts (E) into the holes on each end and secure the carrier beam in place by hand-tightening the bolts with the nuts supplied.

Once both carrier beams (B) are secured in place, and the support beams (A) are correctly positioned and aligned, tighten the carrier beam bolts (E) with the 17mm spanners.



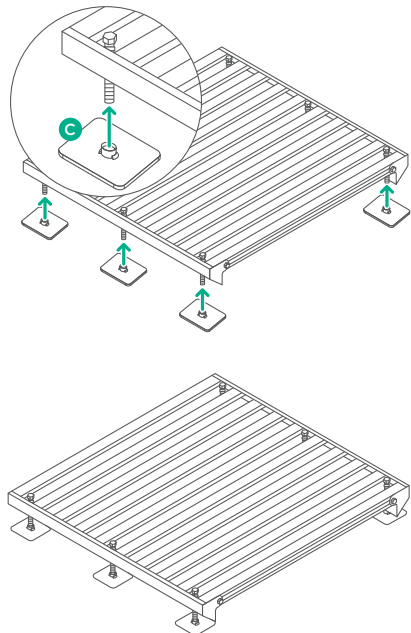
### STEP 7

Move your stand to where you would like it installed. From the top screw the six base plate bolts and nuts (D) through the threaded holes on the carrier beams.



### STEP 8

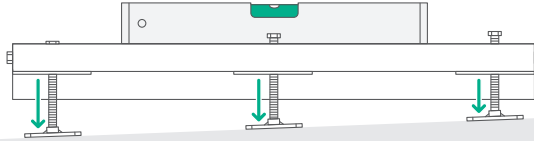
Place a base plate (C) underneath each bolt (D), making sure the bolt sits inside the small ring.



## LEVELING YOUR TANK STAND

### STEP 9

Place a spirit level on all four sides of the tank stand to ensure that it is level. The height of each of the feet can be adjusted by the depth of the bolt through the carrier beam to ensure your tank stand is 100% level.

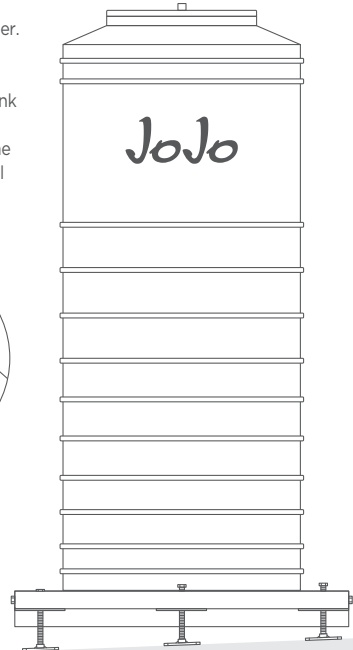
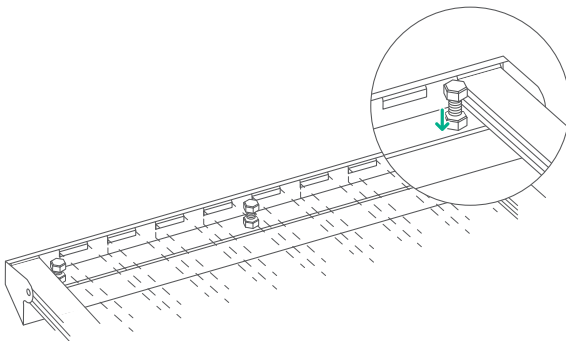


### STEP 10

Once your tank stand is level, secure each of the base plate bolts (D). To do this, hold the bolts in place with a ratchet and 19mm socket while tightening the nut against the top of the carrier beam with a 19mm spanner.

#### Important:

- Only once your tank stand is level and secure, should you place your tank on top of your stand.
- The stand should be placed on a surface that can carry the weight of the tank and stand once the tank is full such as paving. Surfaces such as soil and grass are not suitable.



Thank you for choosing JoJo. If there is anything that you are unsure about or need assistance with, please do not hesitate to contact us.

[www.jojo.co.za](http://www.jojo.co.za) | +27 11 695 8300

**JoJo**  
FOR WATER FOR LIFE