

JoJo Countertop Filter

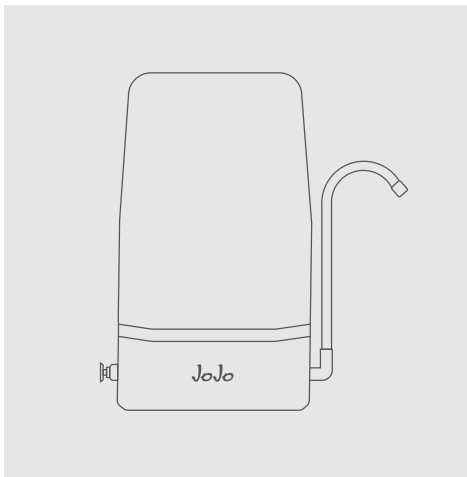
Instructions for use and additional helpful product tips and information

- For more information about JoJo and our range of products, please visit our website.
- For correct installation, use and maintenance, please read this manual carefully and keep it safe for future reference.
- If you have questions concerning the product, send an email to productinfo@jojo.co.za or send us an enquiry via our website and we will assist and advise accordingly.
- If you need to replace the filter cartridges, ensure you use JoJo filter cartridges.

Features & Benefits

- ✓ 2-Stage Filtration Unit (1 x PP Sediment & 1 x Disruptor™)
- ✓ Filters up to 3000 litres of water*
- ✓ Unique Disruptor™ 5293 PAC-S Technology
- ✓ Powdered Activated Carbon reduces odours and improves the taste of the water
- ✓ Anti-microbial Silver disinfects
- ✓ Maintains the healthy minerals
- ✓ No water is wasted whilst filtering
- ✓ Quick and easy filter replacement
- ✓ No drilling required for installation
- ✓ 3-year Warranty

PACK CONTENTS



Product Specifications

Filter capacity: 3000 litres*

Filter life: 6 months*

Flow rate: 3L/min

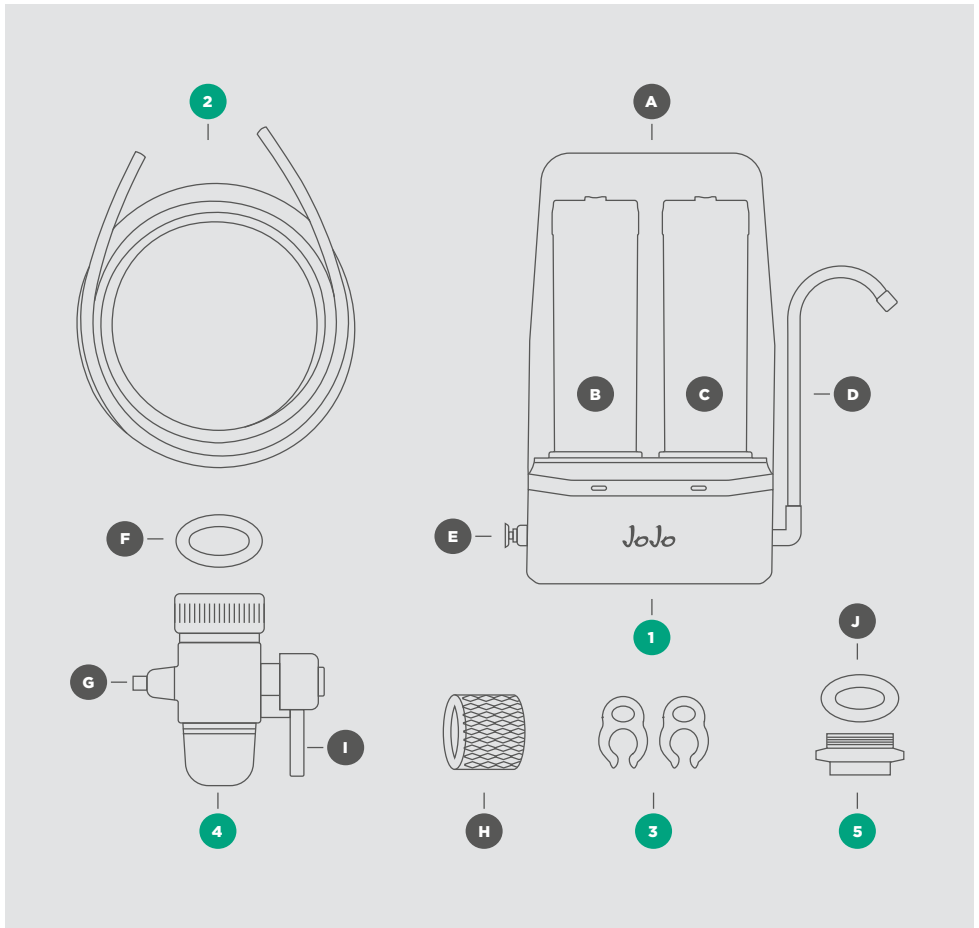
Max pressure: 690 kPa

**Note: because water quality and volume of consumption varies, filter service life will also vary.*

i Important

The effectiveness and lifespan of filtration will vary based on the quality of the water source. Borehole water must be tested to ensure you choose the right filter based on the water quality and requirements. Rainwater will require a sediment pre-filter. Please contact us for more information or assistance.

PACK CONTENTS



1. 2-Stage filtration unit (consisting of):

- A. Filter cover
- B. PP sediment cartridge (PP/CB)
- C. Disruptor™ 5293 PAC-S cartridge (DISR)
- D. Chrome-plated faucet spout
- E. Filter inlet

2. White plastic hose

3. 2 x Blue retaining clips (spare)

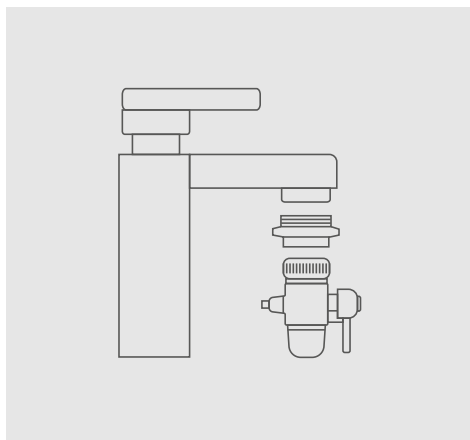
4. Chrome-plated faucet end (consisting of):

- F. Small black washer (fitted inside 4)
- G. Inlet spout nipple
- H. Round threaded nut (fitted to G)
- I. Control valve

5. Hexagonal thread adapter

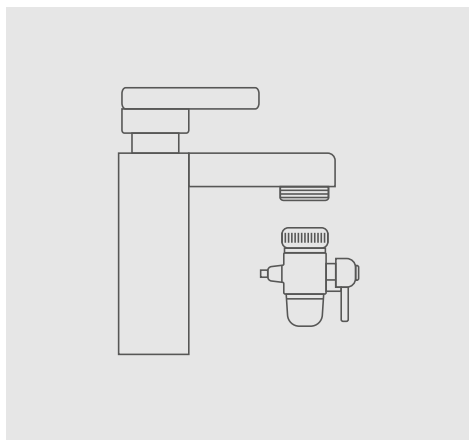
- J. Large black washer (for 5)

FAUCET SETUP



Internal Thread Setup

01. Ensure that the washer (F) is inside the chrome-plated faucet end (4). *Note: it is normally supplied fitted.*
02. Screw the smaller diameter of the hexagonal thread adaptor (5) into the chrome-plated faucet end (4).
03. The larger washer (J) should be used in between the larger diameter of the hexagonal thread adaptor (5) and your faucet.



External Thread Setup

01. Ensure that the washer (F) is inside the chrome-plated faucet end (4). *Note: it is normally supplied fitted.*

INSTALLATION

Connecting The System For Use

01. Unscrew the end cap of your sink's faucet.
02. Attach the chrome-plated faucet end (4) to the end of your faucet (as per faucet setup above).
03. Unscrew the round threaded nut (H) fitted to the inlet spout nipple (G) slightly by turning it anti-clockwise.
04. Push the white plastic hose (2) firmly onto the inlet spout nipple (G) until it is sitting securely against the thread. *Note: it is easier to fit the hose if you heat the end by placing it in some boiled water first, as this softens the hose.*
05. Tighten the round threaded nut (H) on the inlet spout nipple (G) again by screwing it clockwise.
06. Remove the blue retaining clip from the filter inlet (E) and push the other end of the hose into the inlet until it stops. *Note: if the hose is properly connected you should feel some resistance when pulling on it slightly.*
07. Place the blue retaining clip back over the inlet (E) to secure the hose. *Note: ensure that you insert it with the flat side facing the filter.*

Operating Instructions

It is now time to let the system run for a few minutes to activate and flush the cartridges.

Note: when the control valve (1) is facing downwards, the water is coming directly from your faucet unfiltered. When it is turned 90 degrees, the water passes through your filter.

01. Ensure the control valve on the chrome-plated faucet end is turned to the side at a 90-degree angle so that it is closed, and open up your cold water tap.
02. Once you are sure that the water is cold, turn the control valve downwards so that the water can flow through your filter, and let it flow for a few minutes.
03. Your filter is now ready to be used and you can enjoy healthy, great-tasting water!

FILTER REPLACEMENT

01. Remove the filters

Remove the filter cover and turn each filter 1/4 turn to the right and pull upwards to remove them.

Note: on the filters there are indicators of which way to turn it in order to lock or release the unit.

02. Replace the filters

Insert the new filter cartridges into the correct slot. On the front of the unit there are indicators to show where each filter needs to be inserted in order for the unit to function properly. The PP Sediment Cartridge is labeled "PP/CB" and the Disruptor Cartridge "DISR". Turn filter 1/4 turn to the left until it stops in order to ensure it is firmly in place.

03. Activate the filters

As per the steps outlined under Operating Instructions.

Did You Know?

- This filter removes more impurities than any other filter, including harmful bacteria, chlorine, particles and more. It also reduces odours and improves taste.
- Our Disruptor™ Filters contain PAC-S (Powdered Activated Carbon with Anti-microbial Silver for disinfection).
- The base has been designed to be non-slip to ensure it fits securely on your counter.

Important Information

- Ensure that you have activated the filter prior to use as per the instructions provided.
- **Do NOT use hot water** (this system can only filter water between 4 - 38 °C).
- If the filtered water develops an odour, please replace the filter immediately.
- Ensure that the placement of the unit allows for spillage (over the sink).
- **Remember to return the control valve to the closed position once you are finished filtering the water so that the next user doesn't unintentionally use the system or run hot water through the filter.**
- The unit itself is recyclable (excluding the filters).
- In order to maintain optimum filtration, it is recommended to replace the filter after use of 3000 litres or 6 months. **Note:** because water quality and volume of consumption varies, filter service life will also vary.
- A decrease in flow is a clear indication that your filter needs replacement.